

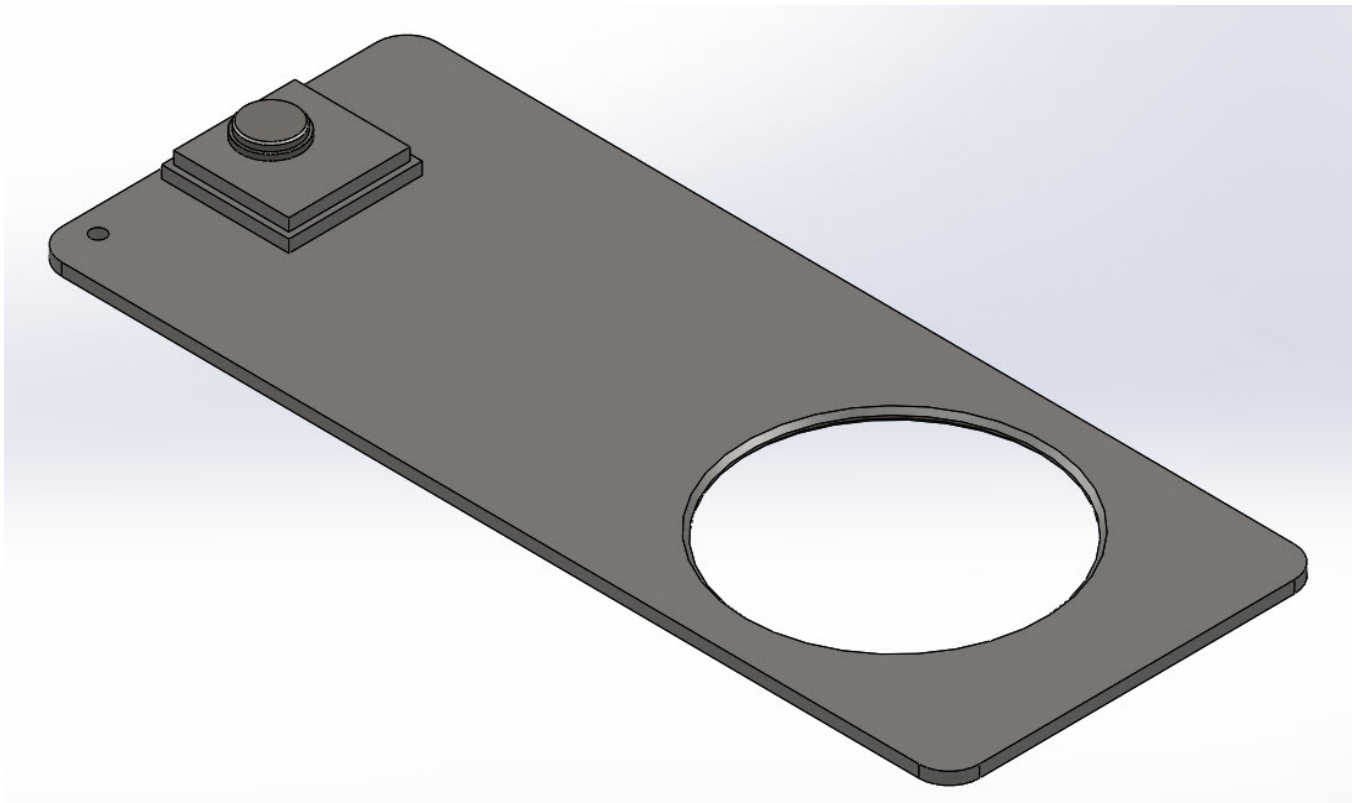


مجتمع جهان فولاد سیرجان



Jahan foolad sirjaan DRI plant

Finalbook- Upper & Lower Slide Gate

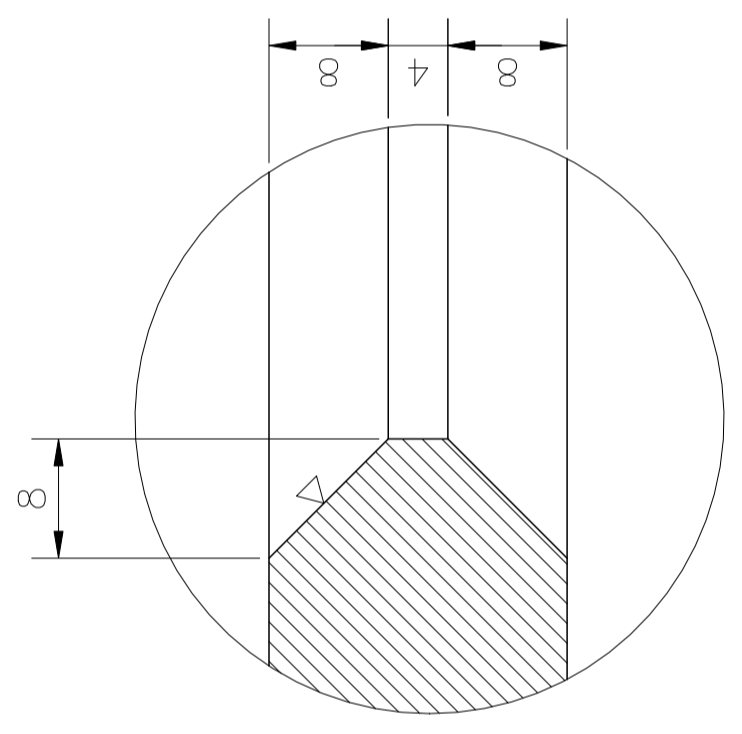
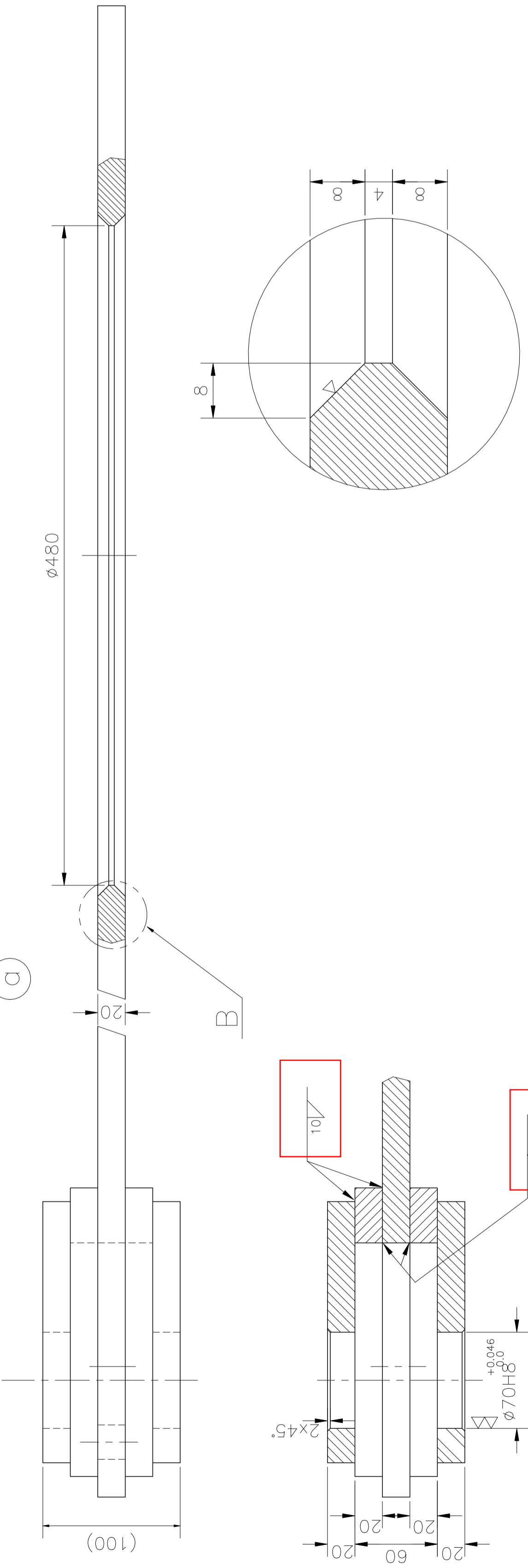
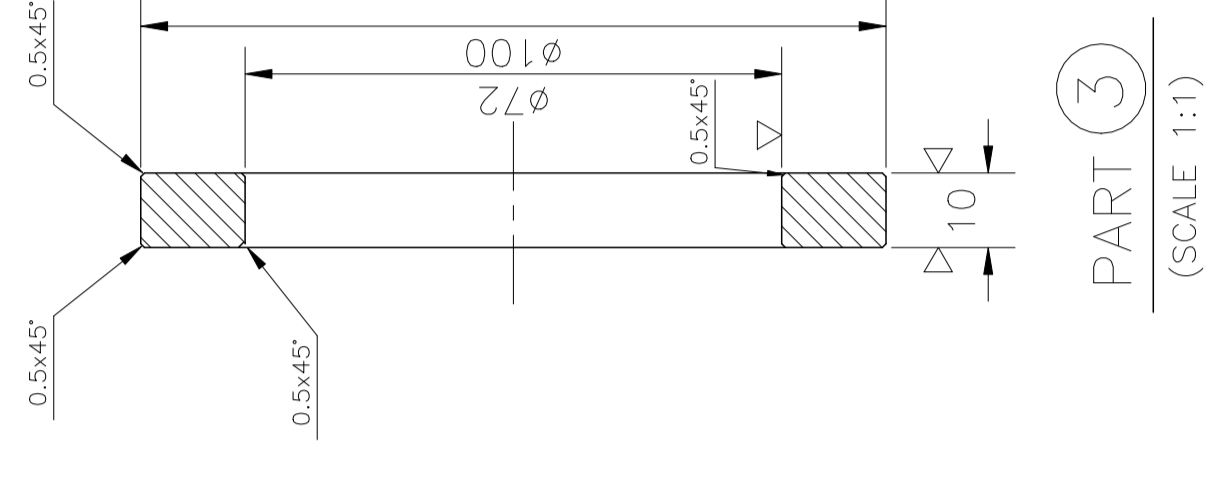
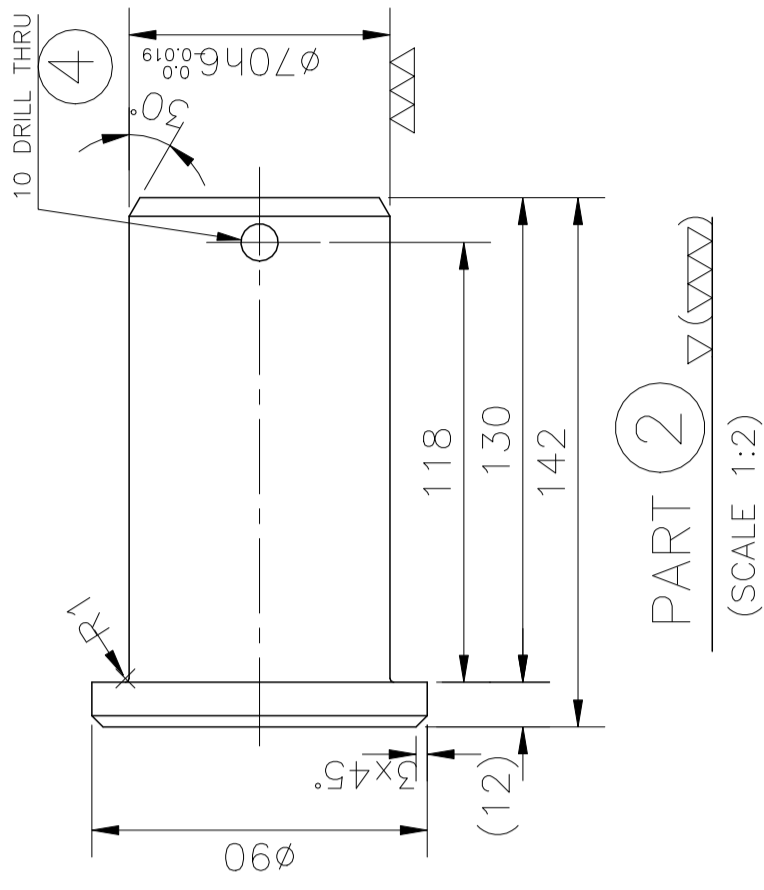
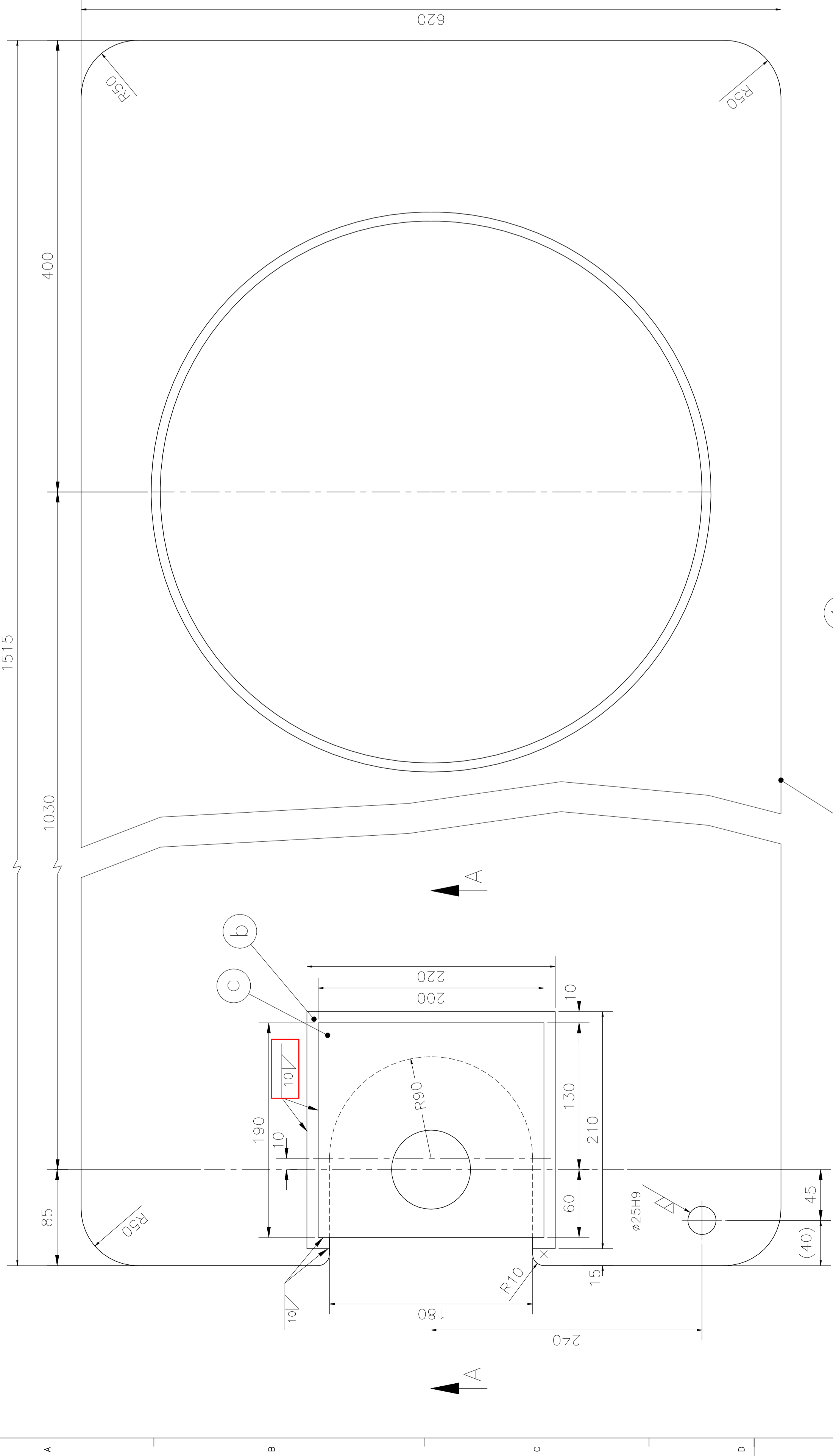


Index

Assembly drawing 1
Dimension report 3
Packing list 5

10 9 8 7 6 5 4 3 2 1

NO.	DRAWING NO.	TITLE
1	SRDRXD31001	REDUCTION FURNACE-UPPER SLIDE GATE ASSEMBLY
2	SRDRXD31002	REDUCTION FURNACE-UPPER SLIDE GATE SECTIONAL ASSEMBLY
3	SRDRXD31003	REDUCTION FURNACE-UPPER SLIDE GATE LIMIT SW. ASSEMBLY



COMPARISON TABLE OF MATERIAL

JIS	ASTM
SYMBOL	STD. NUMBER
SUS321	A313
SWRM12	1015 (SAE)

NO.	PART NAME	QTY.	REFERENCE	MATERIAL	WEIGHT	REMARK
c	PL20x190x200	2		SUS321	6	
b	PL20x210x220	2		SUS321	2.8	
a	PL20x620x1515	1		SUS321	114	
4	SPLIT PIN	1	POS.25 DWG. SRDRXD31002	SWRM12	0.063	10x90P1
3	WASHER Ø72	1	POS.24 DWG. SRDRXD31002	A36	0.3	
2	PIN	1	POS.6 DWG. SRDRXD31002/45% Ø-1045		4.2	
1	SLIDE PLATE	1	POS.5 DWG. SRDRXD31002		130.4	

SECTION A-A
(SCALE 1:2.5)

DETAIL B
(SCALE 2:1)

UNLESS OTHERWISE SPECIFIED

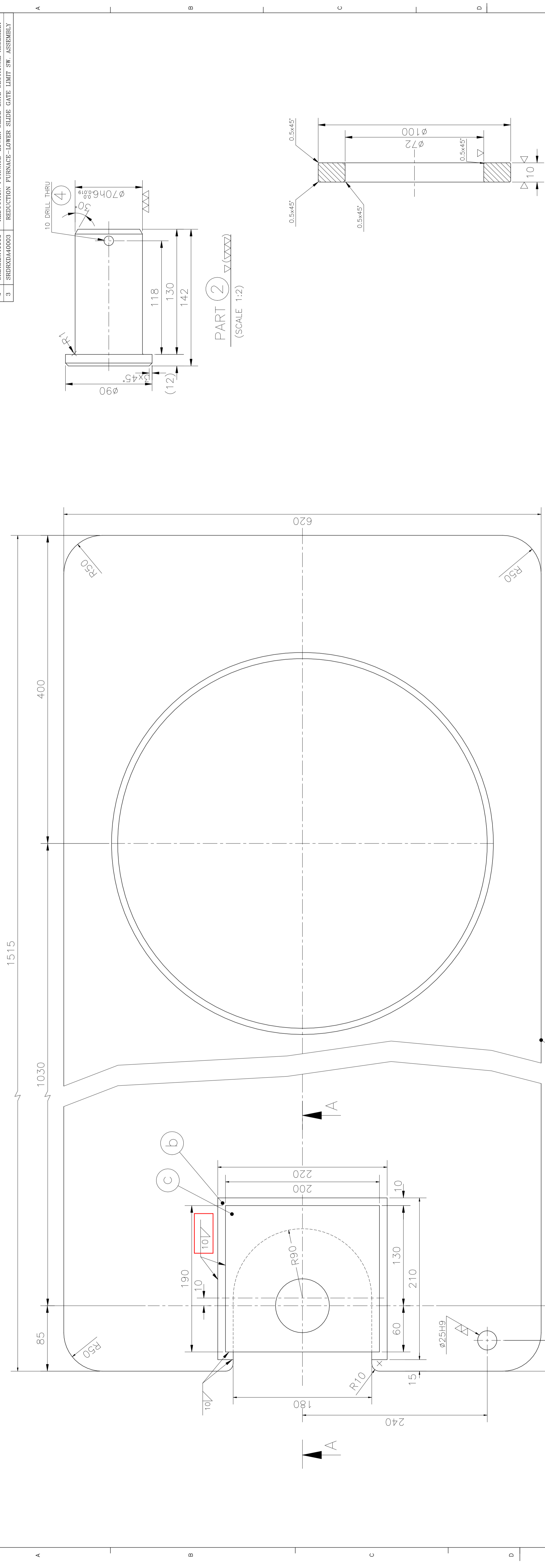
3RD ANGLE PROJECTION	
SURFACE FINISH DIN 3141 RANGE 2	
TOLERANCES & FITS: MACHINED SURFACES DIN 7168 "MED" SHARP EDGES BY 1x45° WELDED CONSTRUCTION DIN 8570 "B" ALL DIM IN MILLIMETER	

REV.	DATE	DESCRIPTION	AS BUILT	APPROVED FOR CONSTRUCTION	ISSUED FOR APPROVAL	PURPOSE OF ISSUE	PREP.	CHECK	APPR.
1	11 Apr. 11								
2	03 Mar. 11								

Drawing

Confidential: This document discloses proprietary information. It may not be reproduced nor disclosed any person, nor used for any purpose, except with the written permission of MTE Co.

NO. DRAWING NO.		TITLE	
1	SRDRXD40001	REDUCTION FURNACE-LOWER SLIDE ASSEMBLY	
2	SRDRXD40002	REDUCTION FURNACE-LOWER SLIDE GATE SECTIONAL ASSEMBLY	
3	SRDRXD40003	REDUCTION FURNACE-LOWER SLIDE GATE LIMIT SW ASSEMBLY	



PART 2
(SCALE 1:2)

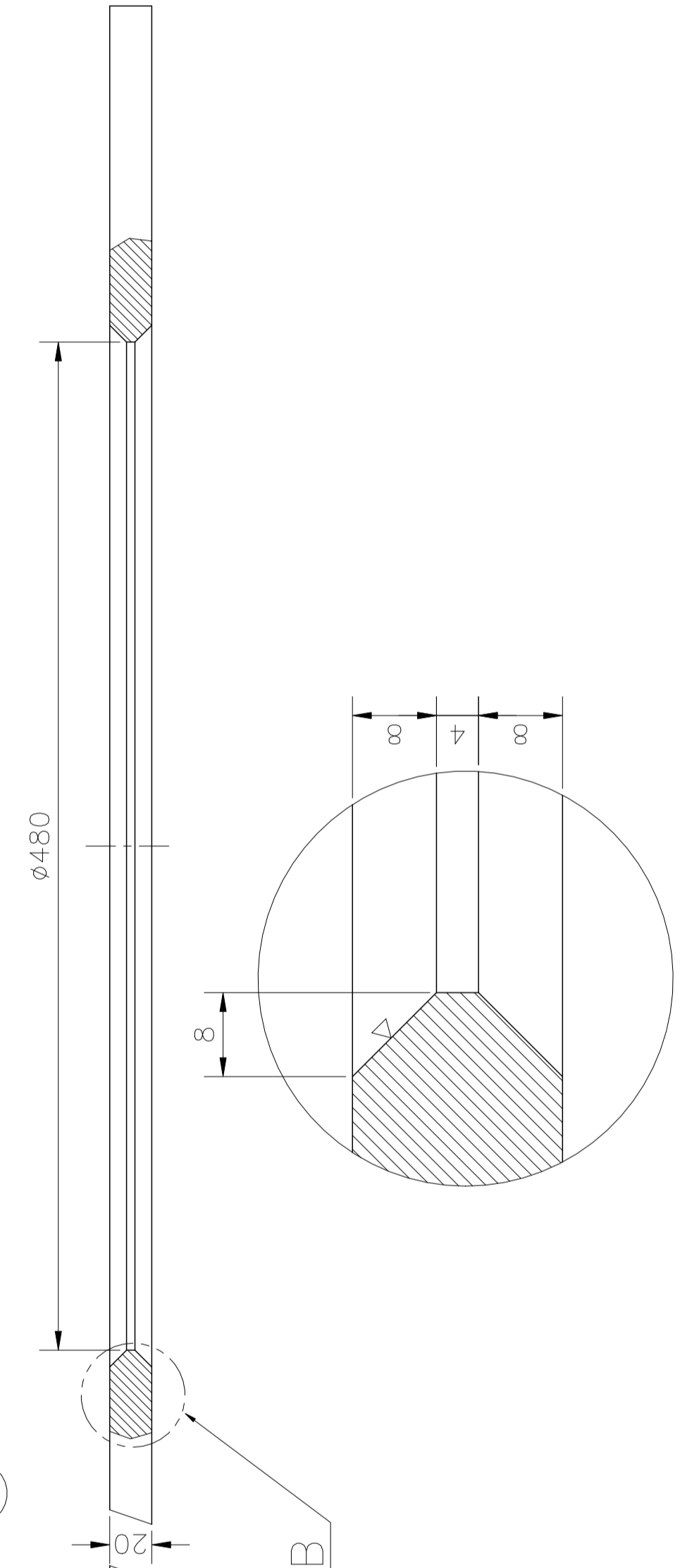
PART 3
(SCALE 1:1)

COMPARISON TABLE OF MATERIAL

JIS	ASTM
SYMBOL	STD. NUMBER
SUS321	A313
SWRM12	1015 (SAE)

TOTAL WEIGHT: 136.16 Kg

NO.	PART NAME	QTY.	REFERENCE	MATERIAL	WEIGHT	REMARK
1	SLIDE PLATE	1	POS.5 DWG. SRDRXD40002	A36	0.3	
2	PIN	1	POS.24 DWG. SRDRXD40002	A36	4.2	
3	WASHER $\phi 72$	1	POS.24 DWG. SRDRXD40002	A36	4.2	
4	SPLIT PIN	1	POS.25 DWG. SRDRXD40002	SWRM12	0.063	10x90P1
1	PL20x190x200	2		SUS321	2.8	
2	PL20x210x220	2		SUS321	2.8	
3	PL20x620x1515	1		SUS321	11.4	



DETAIL B
(SCALE 2:1)

SECTION A-A
(SCALE 1:2.5)

UNLESS OTHERWISE SPECIFIED

(VZ)	SURFACE FINISH	DIN 3141	RANGE 2	3RD ANGLE PROJECTION
	TOLERANCES & FITS:	BREAK ALL MACHINED MACHINED SURFACES BY 1x45° SHARP EDGES BY 1x45°		
	WELDED CONSTRUCTION DIN 8570 "B" ALL DIM IN MILLIMETER			

REV.	DATE	DESCRIPTION	PREP.	CHECK	APPR.
1	11 Apr. 11	ISSUED FOR APPROVAL	DAMAR	JALILI	EMAM
2	03 Mar. 11	PURPOSE OF ISSUE	DAMAR	JALILI	EMAM
3	Jun. 2015	AS BUILT	DAMAR	JALILI	EMAM
4	11 Apr. 11	APPROVED FOR CONSTRUCTION	DAMAR	JALILI	EMAM

Drawing

Confidential: This document discloses proprietary information. It may not be reproduced nor disclosed any person, nor used for any purpose, except with the written permission of MITE Co.

INSPECTION & TEST PLAN (I.T.P) Upper & Lower Slide Gate - Slide Plate				
Row	SCOPE	REQUIREMENT	INSPECTION	
			M.I.(1)	P.I.(1)
1	DRAWING	Original drawing approval	H	R.A
2	Material certificate	Chemical Analysis/mill Certificate	H	R.A
3	WPS&PQR&QCTM	ASME Sec. IX & EN 288	H	R.A
4	Welder Qualification Test	ASME Sec. IX	H	R
5	Dimensional Inspection	Drawing/DT Report	H	H
6	Welding	WPS&PQR/VT Report	H	R.A
7	Visual Inspection of Weld	ASME Sec .VIII	H	H
8	N.D.T	ASME Sec.V & ASME Sec .VIII	H	W
9	Final Inspection	Drawing/DT Reports	H	H
10	Sand Blast & Painting	SIS & SSPC	H	R.A
11	Release Note	Q.C Report	H	R
12	Packing Inspection	Q.C Report	H	R
13	FINAL BOOK	Q.C Report	H	R.A

M.I. = Manufacturer Inspector;

P.I. = Purchaser Inspector;

T.P.I. = Third-party inspector;

(Certificate according to EN 10204)

H: Hold Point = Hold on the production till TPI Inspector performs inspection and supervise the required test

W: Witness Point = Manufacture shall notify client and TPI Inspector but there is no hold on the production;

Client can waive this inspection based on his discretion and informs TPI Inspector accordingly.

R: Document Review = Review means Review document, which includes of material test certificates, WPS, PQR, NDT Procedures and etc.

A: Approval

SW: Spot Witness = for items with spot witness manufacture shall notify TPI inspector as fulfilling the monitoring.

Certificate of Verification

XL2-83659

Reading No 221
Mode General Metals
Time 2019-05-29 15:19
Duration 15.97
Units %
Sigma Value 2
Sequence Final
Alloy1 SS-321 : 0.01
Alloy2 No Match : *2.59
Flags No Al
SAMPLE
HEAT
LOT
BATCH
MISC
NOTE

	%	+/-	Error
Al	<LOD	:	80.000
Ti	0.309	+/-	0.038
V	0.163	+/-	0.030
Cr	17.424	+/-	0.104
Mn	1.142	+/-	0.078
Fe	70.548	+/-	0.191
Co	0.411	+/-	0.102
Ni	9.138	+/-	0.130
Cu	0.382	+/-	0.039
Zn	<LOD	:	0.018
Se	<LOD	:	0.004
Zr	<LOD	:	0.007
Nb	<LOD	:	0.017
Mo	0.358	+/-	0.016
Ru	<LOD	:	0.009
Pd	<LOD	:	0.004
Ag	<LOD	:	0.013
Cd	<LOD	:	0.005
Sn	0.012	+/-	0.004
Sb	<LOD	:	0.011
W	0.082	+/-	0.023
Au	<LOD	:	0.002
Pb	<LOD	:	0.005
Bi	<LOD	:	0.005

Supervised By:

نام پرونده	Upper & Lower Slide Gate جهان فولاد - M - جهان فولاد [6175] L 9712
شرح سفارش	تیغه اسلاید گیت
فرستنده:	تجهیز کالای سورنا تلفن: 09122655303
کد سفارش	6175
گیرنده:	مجتمع جهان فولاد سیرجان - [آقای افروغ] استان کرمان - شهر سیرجان - کیلومتر 46 جاده شیراز - مجتمع جهان فولاد - صندوق پستی 78185445 تلفن گیرنده: 034-441423623 [98 913 247 1572]


Packing list

ردیف	شرح کالا / مشخصات فنی	تعداد	شماره نقشه	اطلاعات خودرو	کد کالا
1	Upper & Lower Slide Gate - Slide Plate Item 1	2 ست	C1500MTDWMC248012D		20702
2	Item 2 , 3 , 4	2	C1500MTDWMC248012D		20702

جهت بهبود کیفیت ارائه خدمات خواهشمند است هرگونه موارد و مشکلات حمل کالا از قبیل خرابی و آسیب دیدگی را در کادر زیر گزارش کرده و به همراه تصویر به آدرس ایمیل rajabi@tajhizkala.ir ارسال فرمائید.

نظرات کارفرما:



	برای دریافت اطلاعات بیشتر کد فنی روبه رو را اسکن کنید.	
	امضا فروشنده (ارسال کننده کالا)	امضا خریدار (دریافت کننده کالا)

استان البرز - کرج - خیابان بهشتی - بین فرعی بوستان و گلستان - پلاک 1409 - طبقه دوم - واحد 5

کد پستی: 145617115 23 52 66 33 26 +98

✉ info@tajhizkala.ir

🌐 www.TajhizKala.ir



استان البرز - کرج - خیابان بهشتی - بین فرعی بوستان و گلستان - پلاک 1409 - طبقه دوم - واحد 5

کد پستی: +98 26-33 52 66 25145617115

✉ info@tajhizkala.ir

🌐 www.TajhizKala.ir